

BECK



BECK

Material

Stainless Steel

Stock Finishes

PLS SEE COLOUR KEY CHART - [Click for Link](#)

Guarantee

20 Years

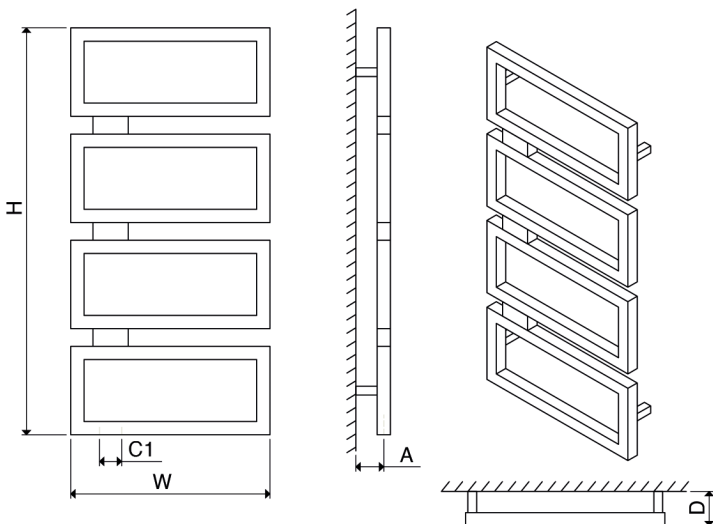
Installation

Vertical

PRODUCT CODE	Height (mm) H	Width (mm) W	Sections n	Pipe Centers (mm) C1	Wall to pipe Centers A (mm)	Wall Distance D (mm)	Nett Weight (kg)	Water Content (lt)	Fuel Type	Heat Outputs	
										Watts	BTU
BCK 0450092004	920	450	4	50	60-75	75-90	6.8	3.2	C	478	1630
BCK 0450140006	1400	450	6	50	60-75	75-90	10.2	4.8	C	717	2448

Please add finishing code at the end of the product code **Code example : BCK 0450140006 MRP**

Fuel type i.e
C: Central Heating
E: Electrical Heating
D: Dual Heating (C+E)



A full range of made to order sizes available.

Please ask for details.

n = number of sections

Max. working pressure

10 bar

Max. working temperature

95 °C

Connections

1/2"

Pipe center

C1

50 mm