

# CASTOR



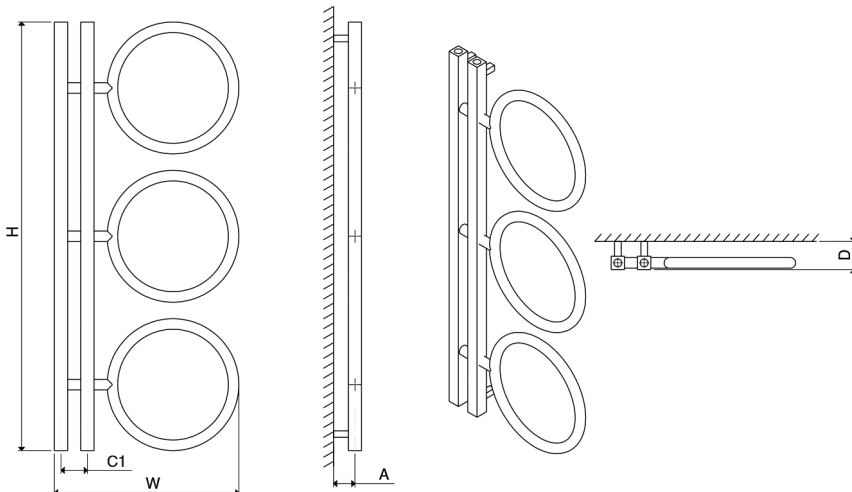
# CASTOR

Material	Stock Finishes	Guarantee	Installation
Stainless Steel	<a href="#">PLS SEE COLOUR KEY CHART - Click for Link</a>	20 Years	Vertical

PRODUCT CODE	Height (mm) H	Width (mm) W	Sections n	Pipe Centers (mm) C1	Wall to pipe Centers A (mm)	Wall Distance D (mm)	Nett Weight (kg)	Water Content (lt)	Fuel Type	Heat Outputs	
										Watts	BTU
CAS 0560085002	850	560	2	80	60-75	75-90	4.2	2.3	D	411	1403
CAS 0560130003	1300	560	3	80	60-75	75-90	5.2	2.8	D	427	1457
CAS 0560175004	1750	560	4	80	60-75	75-90	6.2	3.2	D	756	2578

Please add finishing code at the end of the product code **Code example : CAS 0560085002 MRP**

Fuel type i.e C: Central Heating  
E: Electrical Heating  
D: Dual Heating (C+E)



A full range of made to order sizes available.

Please ask for details.

n = number of sections

Max. working pressure

10 bar

Max. working temperature

95 °C

Connections

1/2"

Pipe center

C1

80 mm