

CURVY BATH



CURVY BATH

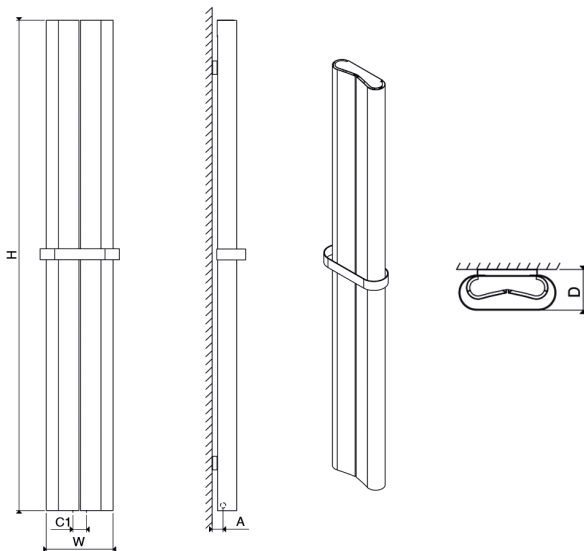
Material	Stock Finishes	Guarantee	Installation
Aluminium	PLS SEE COLOUR KEY CHART - Click for Link	5 Years	Vertical

PRODUCT CODE	Height (mm) H	Width (mm) W	Sections n	Pipe Centers (mm) C1	Wall to pipe Centers		Nett Weight (kg)	Water Content (lt)	Fuel Type	Heat Outputs	
					A (mm)	D (mm)				Watts	BTU
CUB 0245100002	1000	245	2	50	40	90	4.6	0.5	C	455	1553
CUB 0245150002	1500	245	2	50	40	90	6.9	1.0	C	683	2329
CUB 0245180002	1800	245	2	50	40	90	8.2	1.2	C	793	2706
CUB 0245200002	2000	245	2	50	40	90	9.2	1.3	C	910	3105

Please add finishing code at the end of the product code

Code example : CUB 0245150002 TXLG

Fuel type i.e. C: Central Heating
E: Electrical Heating
D: Dual Heating (C+E)



Bespoke height is possible.

Please ask for details.

n = number of sections

Max. working pressure

10 bar

Max. working temperature

95 °C

Connections

½"

Section width

120 mm

Section depth

70 mm

Pipe center

C1

50 mm