

CURVY



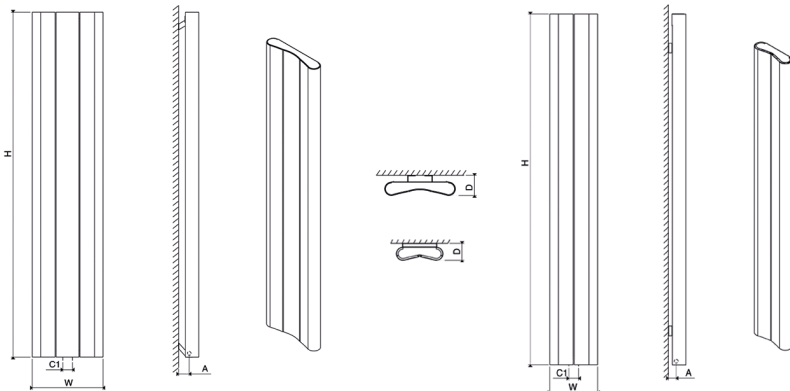
CURVY

Material	Stock Finishes	Guarantee	Installation
Aluminium	PLS SEE COLOUR KEY CHART - Click for Link	5 Years	Vertical Horizontal

PRODUCT CODE	Height (mm)	Width (mm)	Sections	Pipe Centers (mm)	Wall to pipe Centers	Wall Distance	Nett Weight (kg)	Water Content (lt)	Fuel Type	Heat Outputs	
	H	W	n	C1	A(mm)	D(mm)				Watts	BTU
CUR 0245180002	1800	245	2	50	40	90	8.2	1.2	C	794	2709
CUR 0370180003	1800	370	3	50	55	105	12.4	1.7	C	1191	4064
CUR 0495180004	1800	495	4	50	55	105	15.8	2.3	C	1471	5019
CUR 0620180005	1800	620	5	50	55	105	19.8	2.9	C	1839	6274
CUR 0745060006	600	745	6	50	55	105	7.9	1.2	C	2207	7529
CUR 0995060008	600	995	8	50	55	105	10.6	1.5	C	2942	10038
CUR 1245060010	600	1245	10	50	55	105	13.2	1.9	C	3678	12548

Please add finishing code at the end of the product code **Code example : CUR 0620180005 TXW**

Fuel type i.e
 C: Central Heating
 E: Electrical Heating
 D: Dual Heating (C+E)



A full range of made to order sizes available.
 Please ask for details.

Radiator width for made to order sizes (n x 125) - 5mm

n = number of sections

Max. working pressure 10 bar

Max. working temperature 95 °C

Connections 1/2"

Section width 120 mm

Section depth 70 mm

Pipe center C1 50 mm