

JAZZ



JAZZ

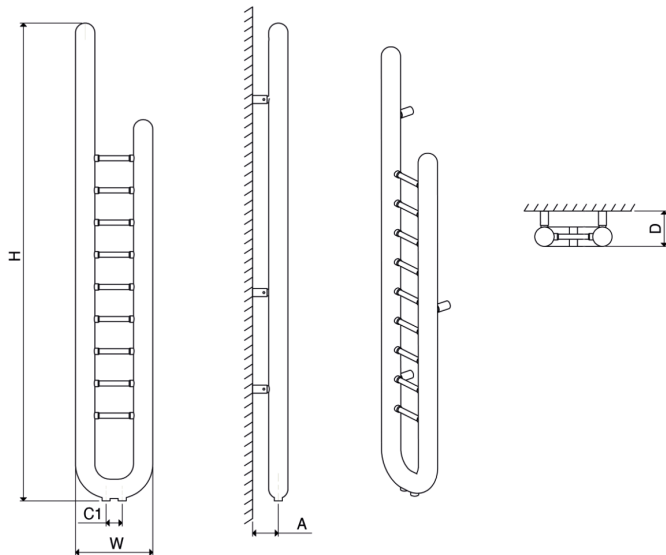
Material	Stock Finishes	Guarantee	Installation
Stainless Steel	PLS SEE COLOUR KEY CHART - Click for Link	20 Years	Vertical

PRODUCT CODE	Height (mm)	Width (mm)	Sections	Pipe Centers (mm)	Wall to pipe Centers	Wall Distance	Nett Weight	Water Content	Fuel Type	Heat Outputs	
	H	W	n	C1	A (mm)	D (mm)	(kg)	(lt)		Watts	BTU
JAZ 0240150009	1500	240	9	50	80-95	110-125	6.5	6.7	C	360	1229

Please add finishing code at the end of the product code

Code example : JAZ 0240150009 MRP

Fuel type i.e
 C: Central Heating
 E: Electrical Heating
 D: Dual Heating (C+E)



n = number of sections
 Max. working pressure 10 bar
 Max. working temperature 95 °C
 Connections ½"
 Pipe center C1 50 mm