

SNOWFLAKE



SNOWFLAKE

Material

Stainless Steel

Stock Finishes

PLS SEE COLOUR KEY CHART - [Click for Link](#)

Guarantee

20 Years

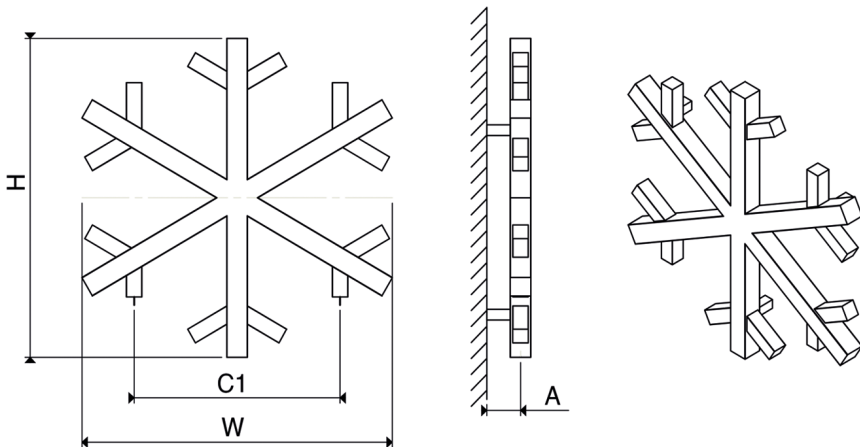
Installation

Horizontal

PRODUCT CODE	Height (mm)	Width (mm)	Sections	Pipe Centers (mm)	Wall to pipe Centers	Wall Distance	Nett Weight	Water Content	Fuel Type	Heat Outputs	
	H	W	n	C1	A (mm)	D (mm)	(kg)	(lt)		Watts	BTU
SNW 0600060006	600	600	6	360	65-80	85-100	5.5	3.6	C	333	1137

Please add finishing code at the end of the product code **Code example : SNW 0600060006 STP**

Fuel type i.e C: Central Heating
E: Electrical Heating
D: Dual Heating (C+E)



n = number of sections
 Max. working pressure 10 bar
 Max. working temperature 95 °C
 Connections ½"
 Pipe centers C1 360mm