

TALENT



TALENT

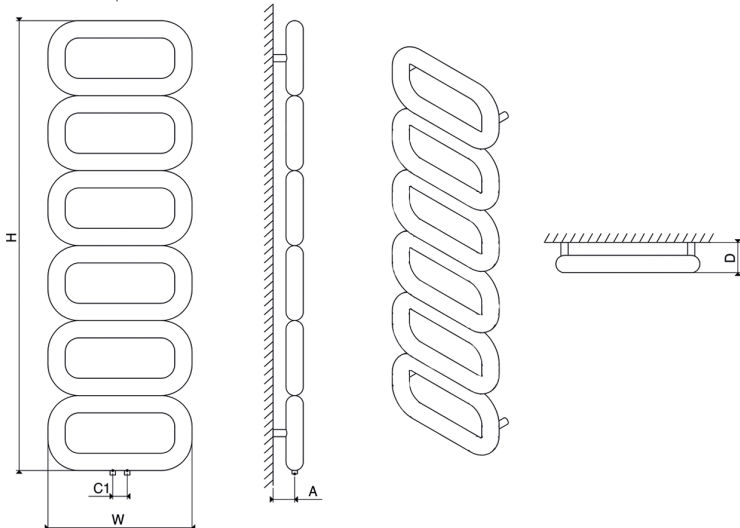
| | | | |
|-----------------|---|------------------|---------------------|
| Material | Stock Finishes | Guarantee | Installation |
| Stainless Steel | PLS SEE COLOUR KEY CHART - Click for Link | 20 Years | Vertical |

| PRODUCT CODE | Height (mm) | Width (mm) | Sections n | Pipe Centers (mm) C1 | Wall to pipe Centers | Wall Distance | Nett Weight (kg) | Water Content (lt) | Fuel Type | Heat Outputs | |
|----------------|-------------|------------|---------------|-------------------------|----------------------|---------------|------------------|--------------------|-----------|--------------|------|
| | H | W | | | A (mm) | D (mm) | | | | Watts | BTU |
| TAL 0500078003 | 780 | 500 | 3 | 50 | 80-95 | 110-125 | 8.4 | 34.5 | C | 459 | 1566 |
| TAL 0500104004 | 1040 | 500 | 4 | 50 | 80-95 | 110-125 | 10.9 | 46.0 | C | 612 | 2087 |
| TAL 0500130005 | 1300 | 500 | 5 | 50 | 80-95 | 110-125 | 13.4 | 57.5 | C | 765 | 2609 |
| TAL 0500156006 | 1560 | 500 | 6 | 50 | 80-95 | 110-125 | 13.4 | 57.5 | C | 918 | 3130 |

Please add finishing code at the end of the product code

Code example : TAL 0500078003 MRP

Fuel type i.e C: Central Heating
E: Electrical Heating
D: Dual Heating (C+E)



A full range of made to order sizes available.

Please ask for details.

| | |
|--------------------------|---------|
| n = number of sections | 10 bar |
| Max. working pressure | |
| Max. working temperature | 95 °C |
| Connections | ½" |
| Pipe centers | C1 50mm |